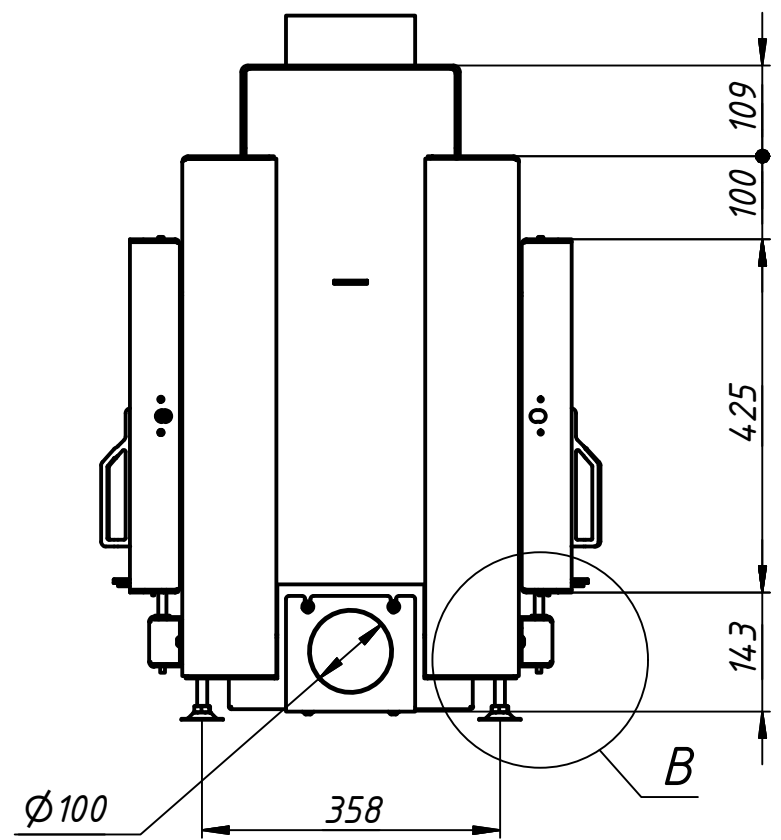
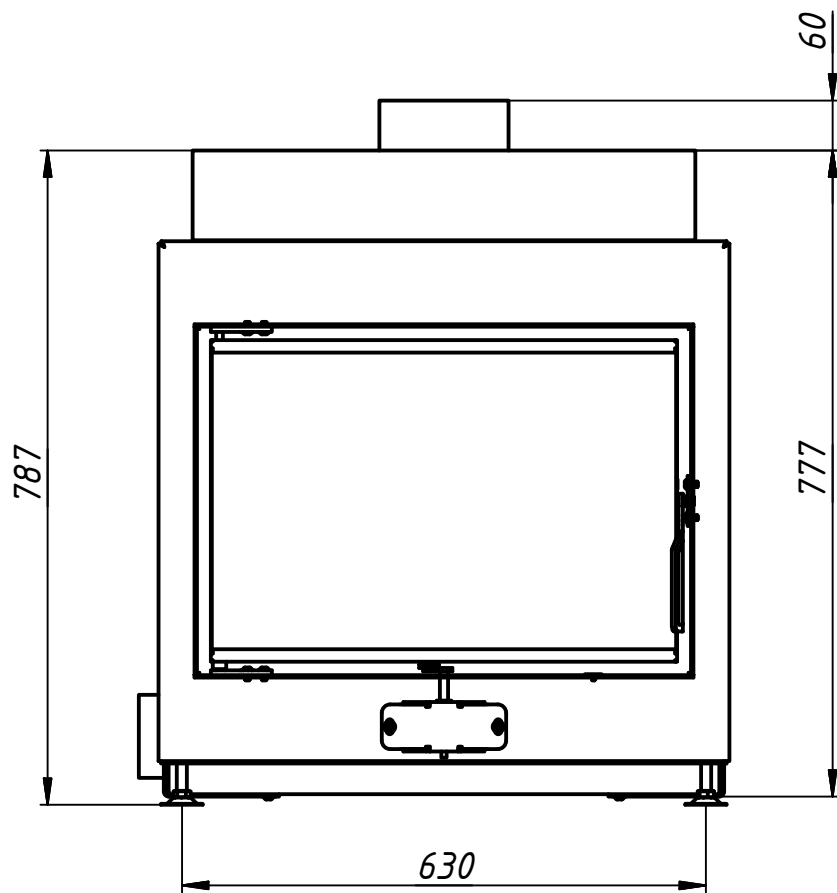
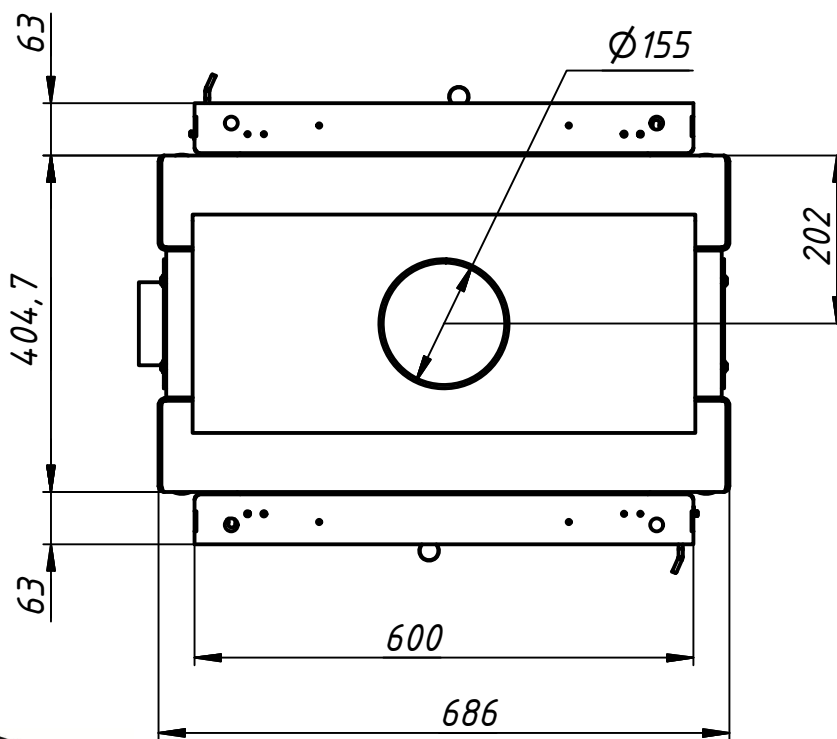


Technical information	Unit	Value
Tested according to	-	-
Nominal heat power	kW	6
Wood consumption	kg/h	2.0
Efficiency	%	75
Heat distribution		
door glass (single / double)	%	45 / 35
fireplace insert	%	55 / 65
water circuit	%	-- / --
Required chimney pressure	Pa	10
Chimney diameter	mm	160
Combustion air connection	mm	100
Minimum radiant area	sq m	4.6
Minimum distance from the insulated areas	mm	60
Minimum supply air grating cross-section	sq cm	600
Minimum outgoing air grating cross-section	sq cm	700
Log length	cm	30
Weight fireplace with ribbed 40mm chamotte	kg	144
Weight of one accumulation set	kg	20.5
Maximum number of accumulation sets		-
Increase in size with accumulation set from the side / behind	mm	-- / --

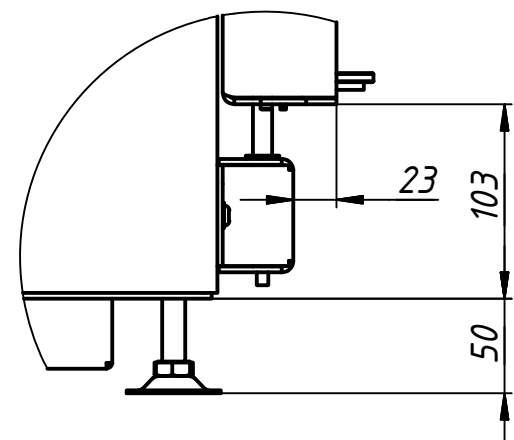
B



A



B (1:4)



Инв. № подл.	Подп. и дата	Взам. инв. №	Инв. № дубл.	Подп. и дата



Изм.	Лист	№ докум.	Подп.	Дата

60x420

Лист