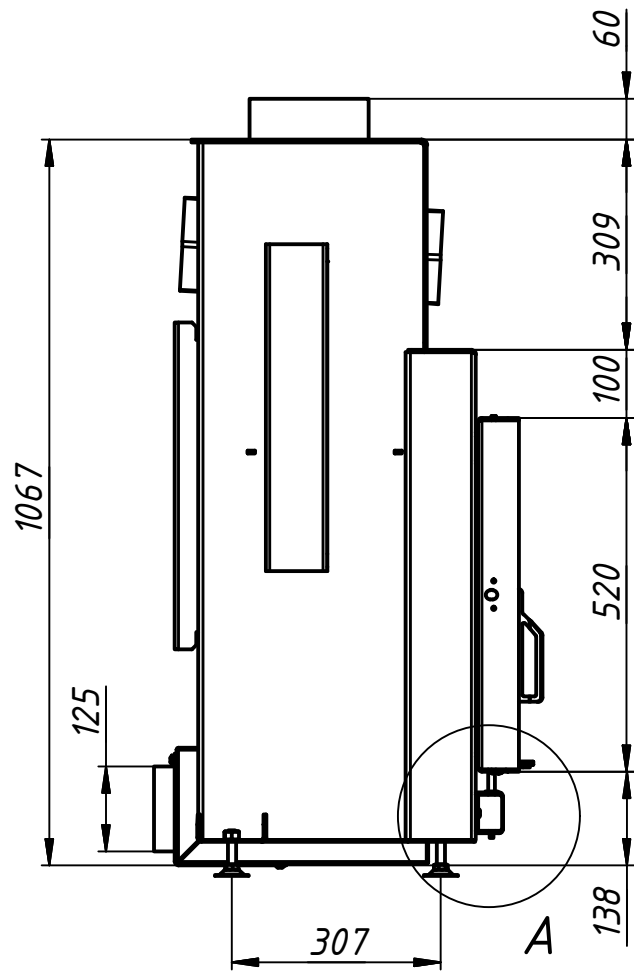
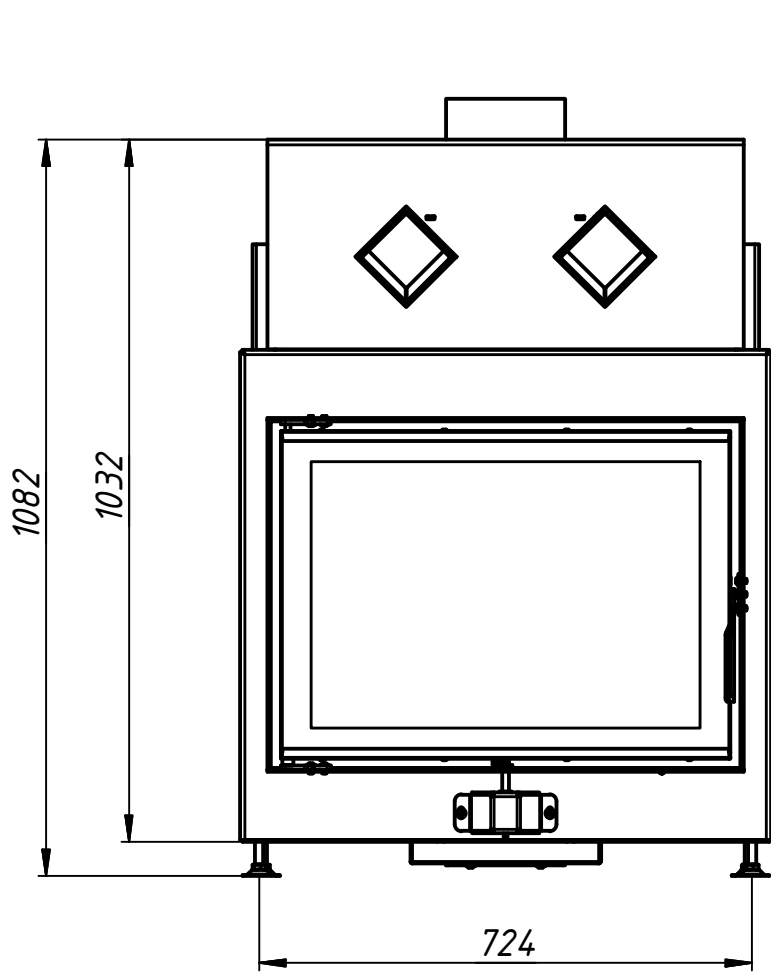
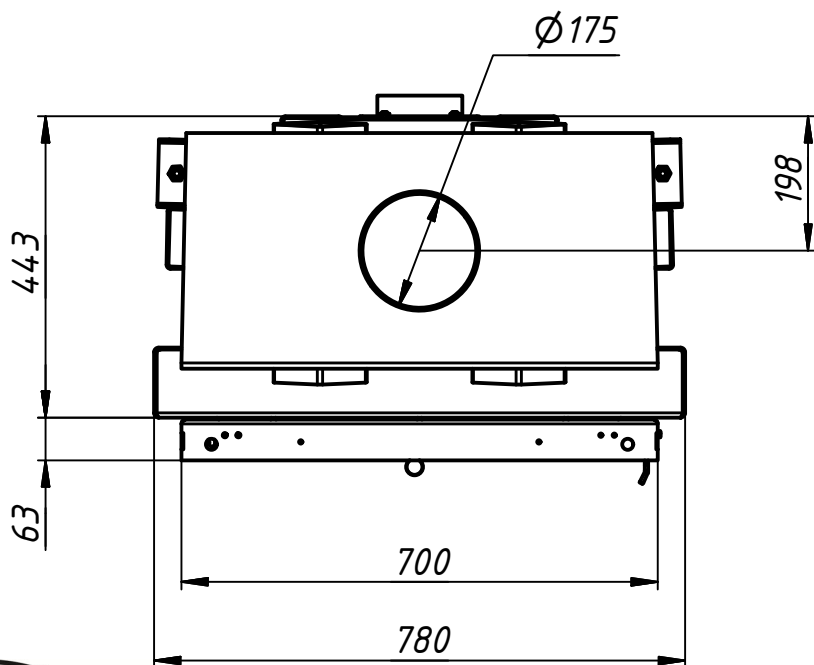


| Technical information | Unit | Value |
|---|-------|---------|
| Tested according to | - | - |
| Nominal heat power | kW | 8 |
| Wood consumption | kg/h | 2.3 |
| Efficiency | % | >80 |
| Heat distribution | | |
| door glass (single / double) | % | 35 / 25 |
| fireplace insert | % | 65 / 75 |
| water circuit | % | -- / -- |
| Required chimney pressure | Pa | 12 |
| Chimney diameter | mm | 180 |
| Combustion air connection | mm | 125 |
| Minimum radiant area | sq m | 5.5 |
| Minimum distance from the insulated areas | mm | 60 |
| Minimum supply air grating cross-section | sq cm | 900 |
| Minimum outgoing air grating cross-section | sq cm | 1050 |
| Log length | cm | 30 |
| Weight fireplace with ribbed 40mm chamotte | kg | 188 |
| Weight of one accumulation set | kg | 20.5 |
| Maximum number of accumulation sets | | 4 |
| Increase in size with accumulation set from the side / behind | mm | 66 / 82 |

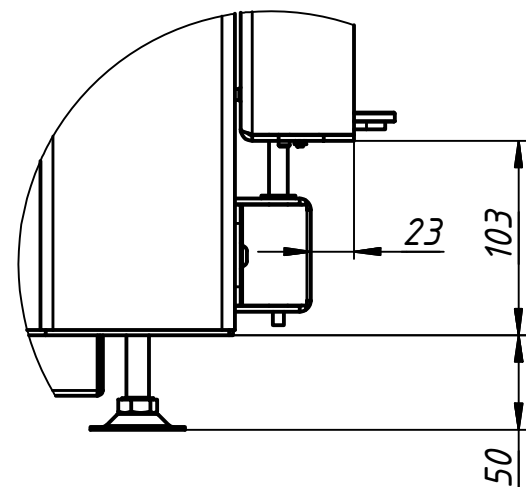
B



A



A (1:4)



| | |
|--------------|--------------|
| Инв. № подл. | Подп. и дата |
| Взам. инв. № | Инв. № дубл. |
| Подп. и дата | Подп. и дата |



| | | | | |
|------|------|----------|-------|------|
| Изм. | Лист | № докум. | Подп. | Дата |
|------|------|----------|-------|------|

70x52

Лист
1