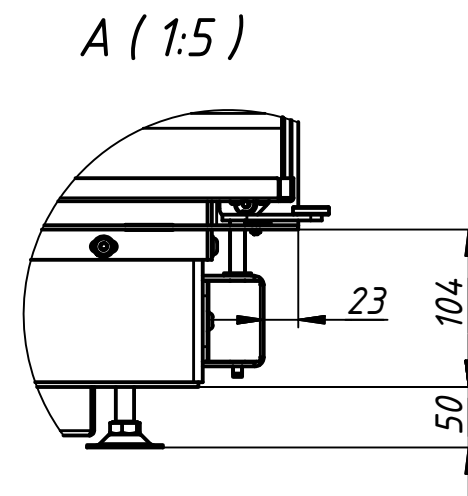
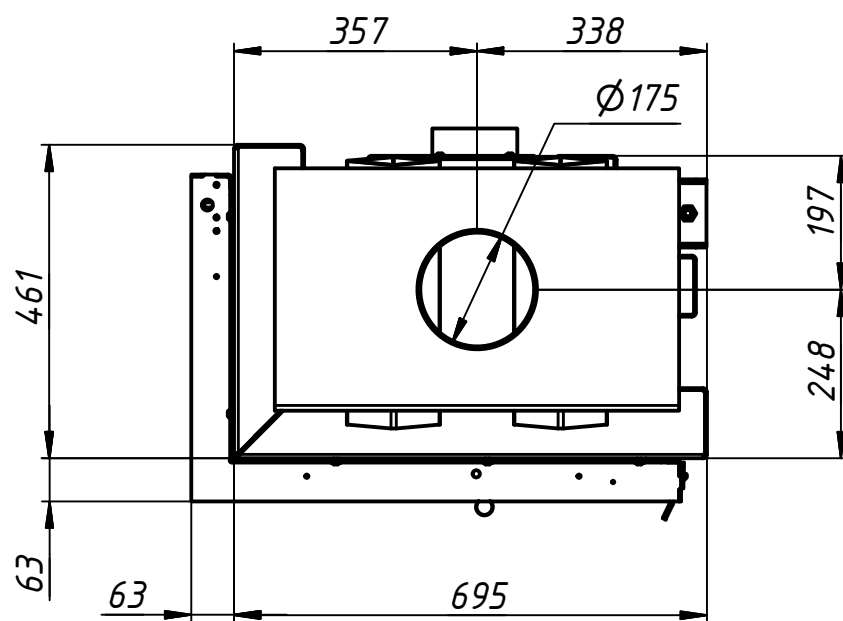
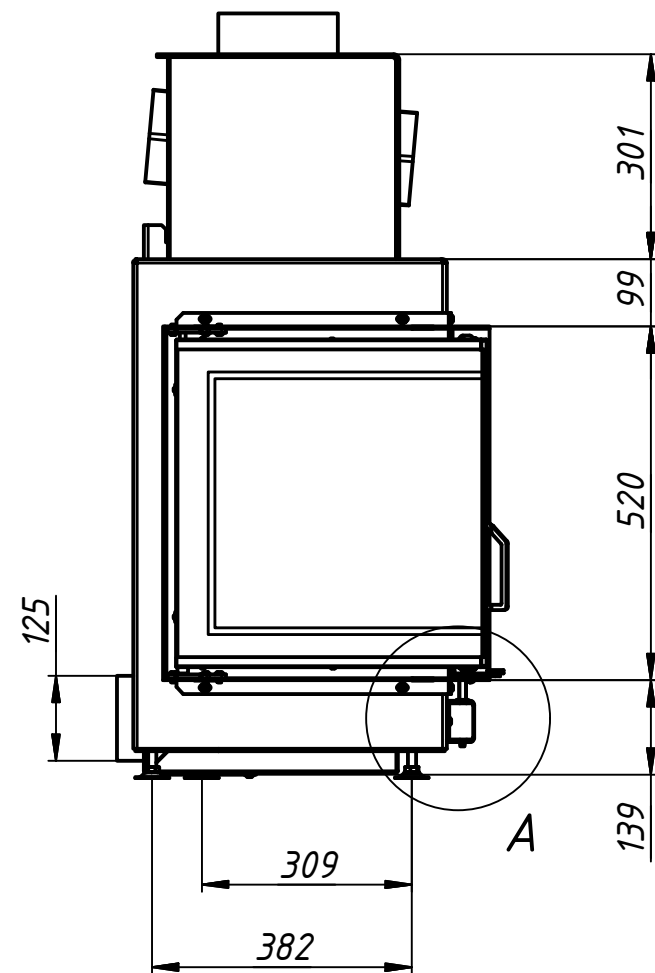
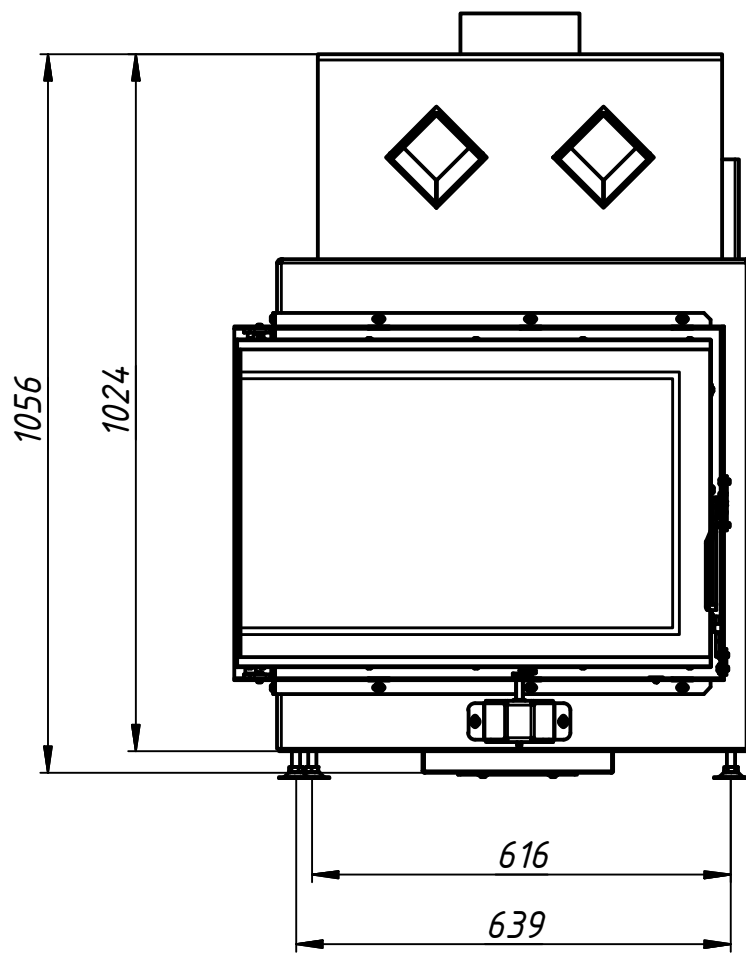


Technical information	Unit	Value
Tested according to	-	-
Nominal heat power	kW	8
Wood consumption	kg/h	2.4
Efficiency	%	>80
Heat distribution		
door glass (single / double)	%	45 / --
fireplace insert	%	55 / --
water circuit	%	-- / --
Required chimney pressure	Pa	12
Chimney diameter	mm	180
Combustion air connection	mm	125
Minimum radiant area	sq m	4.6
Minimum distance from the insulated areas	mm	60
Minimum supply air grating cross-section	sq cm	850
Minimum outgoing air grating cross-section	sq cm	1000
Log length	cm	30
Weight fireplace with ribbed 40mm chamotte	kg	182
Weight of one accumulation set	kg	20.5
Maximum number of accumulation sets		3
Increase in size with accumulation set from the side / behind	mm	66 / 66



Изм.	Лист	№ докум.	Подп.	Дата

72x48x52 L

Лист

Копировал

Формат А3