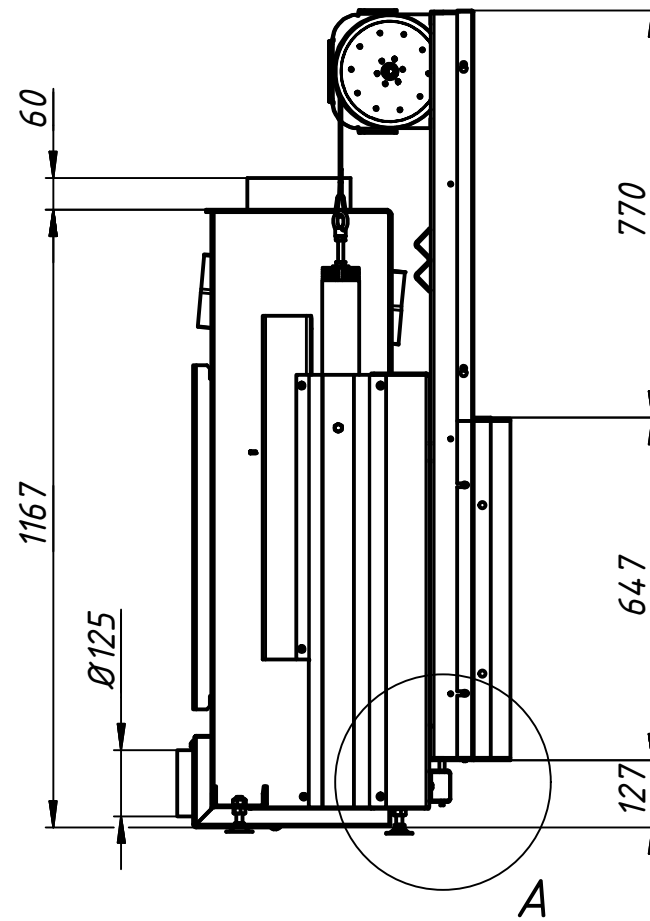
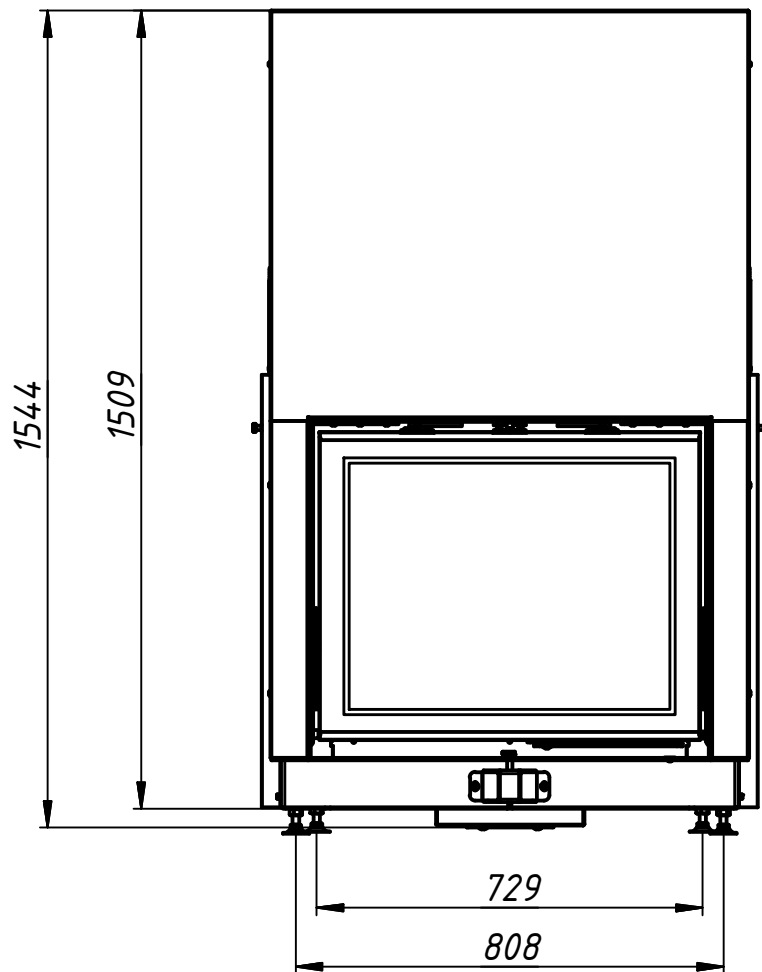
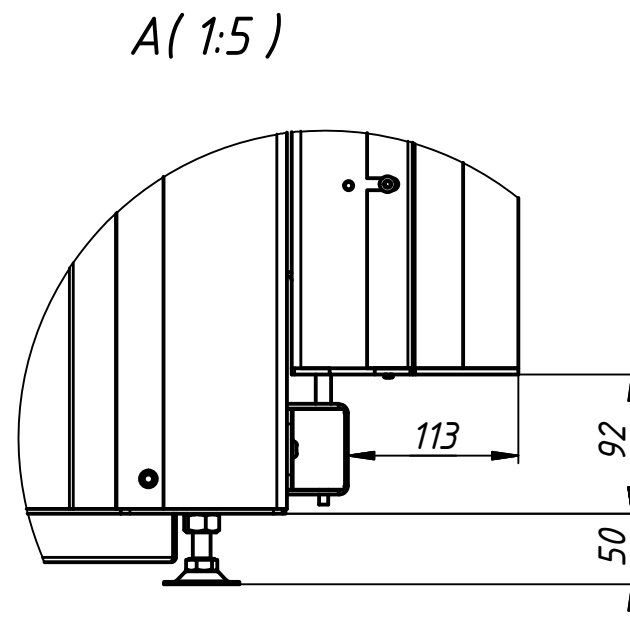
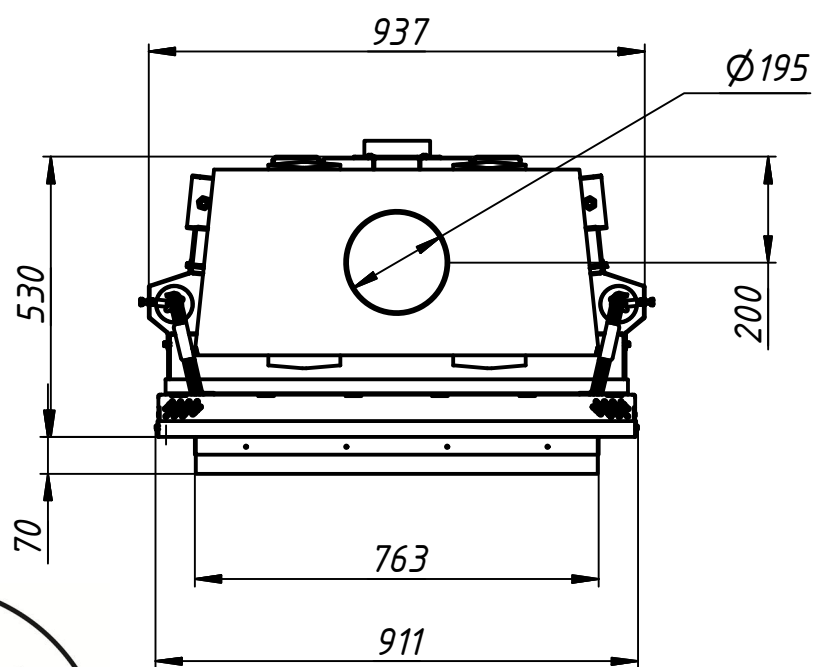


Technical information	Unit	Value
Tested according to	-	-
Nominal heat power	kW	10
Wood consumption	kg/h	3,0
Efficiency	%	>80
Heat distribution		
door glass (single / double)	%	40 / 30
fireplace insert	%	60 / 70
water circuit	%	-- / --
Required chimney pressure	Pa	12
Chimney diameter	mm	200
Combustion air connection	mm	125
Minimum radiant area	sq m	5,6
Minimum distance from the insulated areas	mm	60
Minimum supply air grating cross-section	sq cm	1100
Minimum outgoing air grating cross-section	sq cm	1300
Log length	cm	30
Weight fireplace with ribbed 40mm chamotte	kg	310
Weight of one accumulation set	kg	20,5
Maximum number of accumulation sets		2
Increase in size with accumulation set from the side / behind	mm	-- / 82

B



A



Инв. № подл.	Подп. и дата
Взам. инв. №	Инв. № дубл.
Подп. и дата	Подп. и дата



Изм.	Лист	№ докум.	Подп.	Дата

76x62 H

Лист  
1