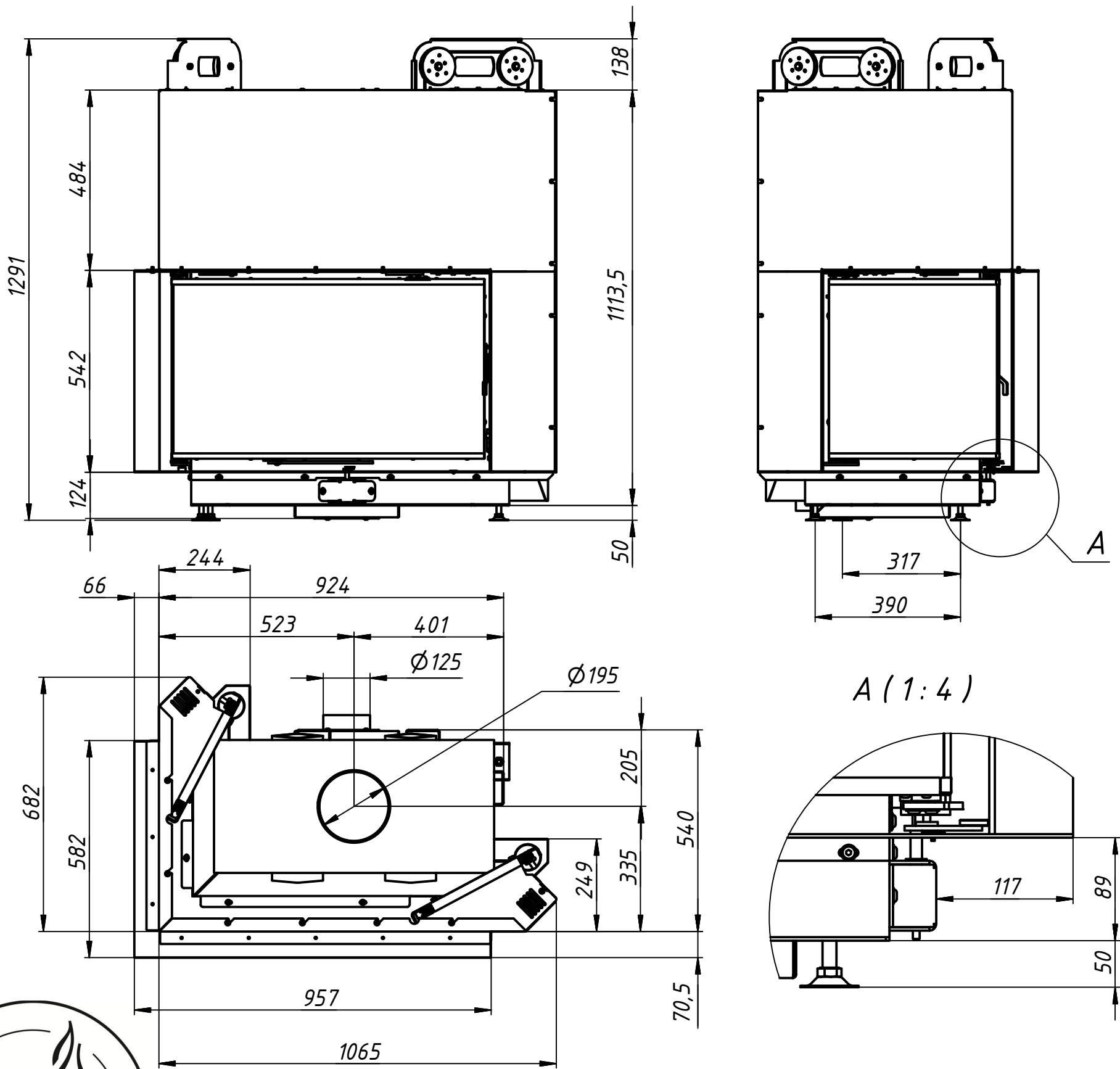


Technical information	Unit	Value
Tested according to	-	-
Nominal heat power	kW	10
Wood consumption	kg/h	3.1
Efficiency	%	>80
Heat distribution		
door glass (single / double)	%	45 / --
fireplace insert	%	55 / --
water circuit	%	-- / --
Required chimney pressure	Pa	12
Chimney diameter	mm	200
Combustion air connection	mm	125
Minimum radiant area	sq m	5.8
Minimum distance from the insulated areas	mm	60
Minimum supply air grating cross-section	sq cm	1050
Minimum outgoing air grating cross-section	sq cm	1200
Log length	cm	30-40
Weight fireplace with ribbed 40mm chamotte	kg	369
Weight of one accumulation set	kg	20.5
Maximum number of accumulation sets		3
Increase in size with accumulation set from the side / behind	mm	67 / 67



Изм.	Лист	№ докум.	Подп.	Дата

90x51x54 L

Лист