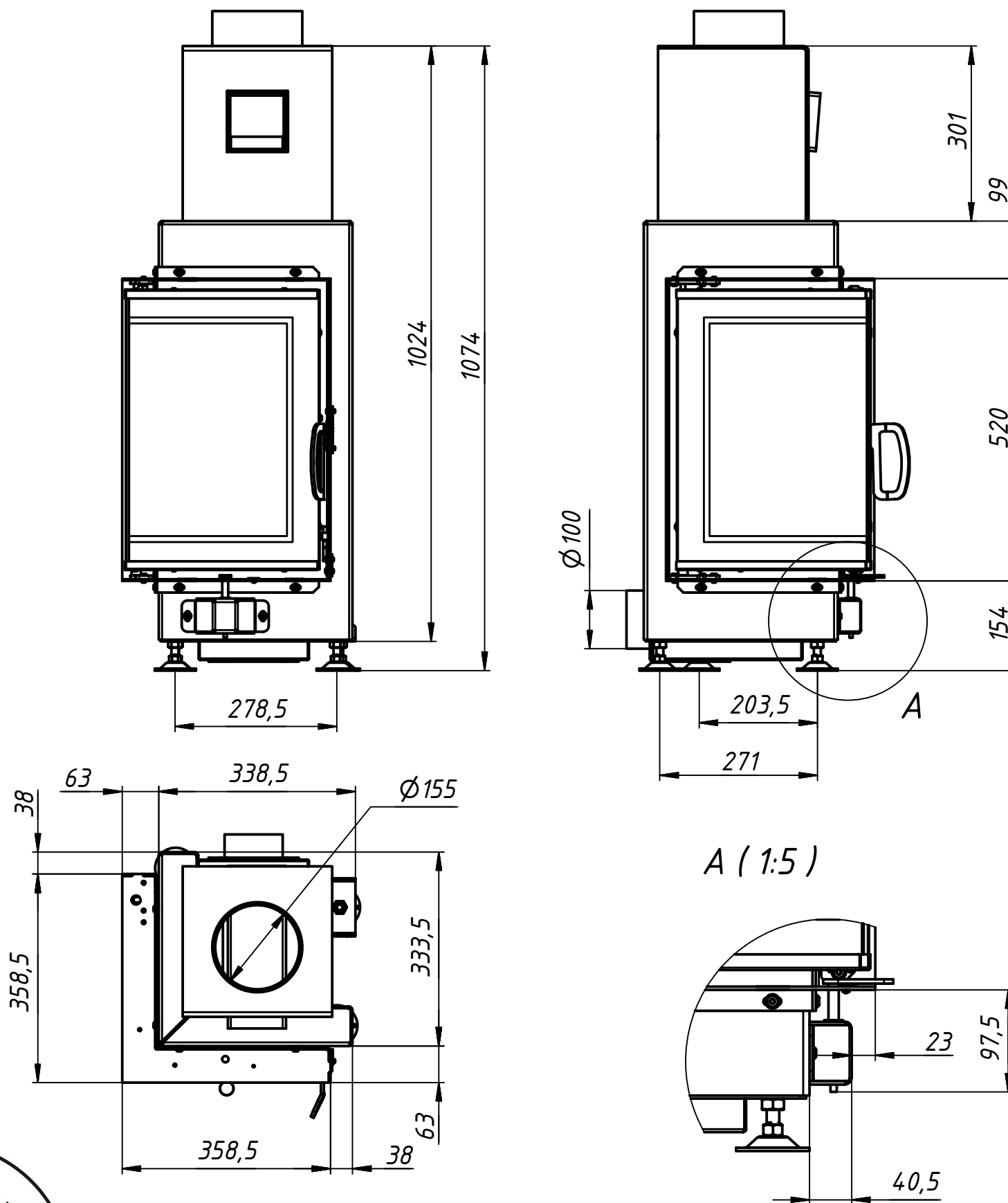


Technical information	Unit	Value
Tested according to	-	-
Nominal heat power	kW	7
Wood consumption	kg/h	2.1
Efficiency	%	>80
Heat distribution		
door glass (single / double)	%	45 / --
fireplace insert	%	55 / --
water circuit	%	-- / --
Required chimney pressure	Pa	10
Chimney diameter	mm	160
Combustion air connection	mm	100
Minimum radiant area	sq m	
Minimum distance from the insulated areas	mm	60
Minimum supply air grating cross-section	sq cm	750
Minimum outgoing air grating cross-section	sq cm	900
Log length	cm	20-25
Weight fireplace with ribbed 40mm chamotte	kg	89
Weight of one accumulation set	kg	20.5
Maximum number of accumulation sets		--
Increase in size with accumulation set from the side / behind	mm	-- / --



Изм.	Лист	№ докум.	Подп.	Дата
------	------	----------	-------	------

36x36x52 L

Лист

Копировал

Формат А3