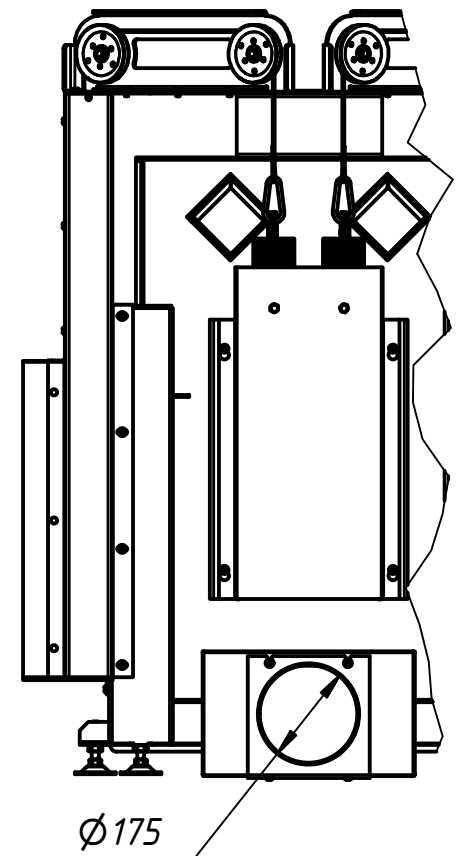
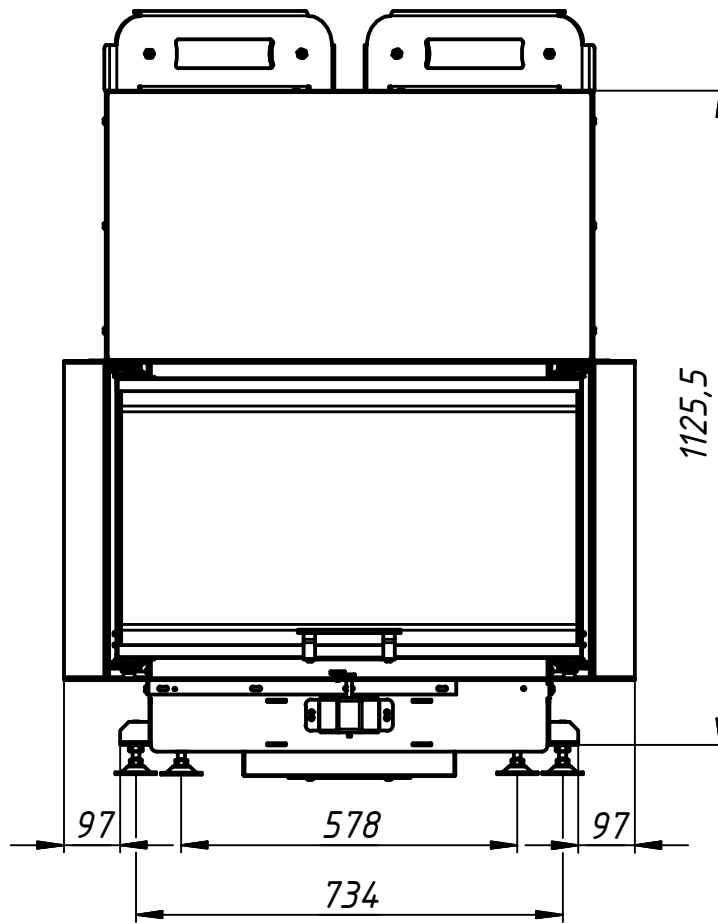
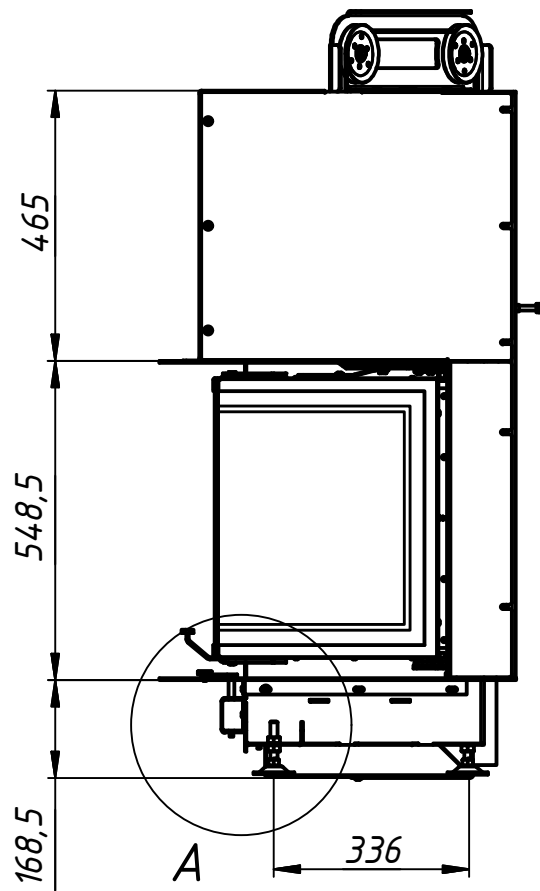
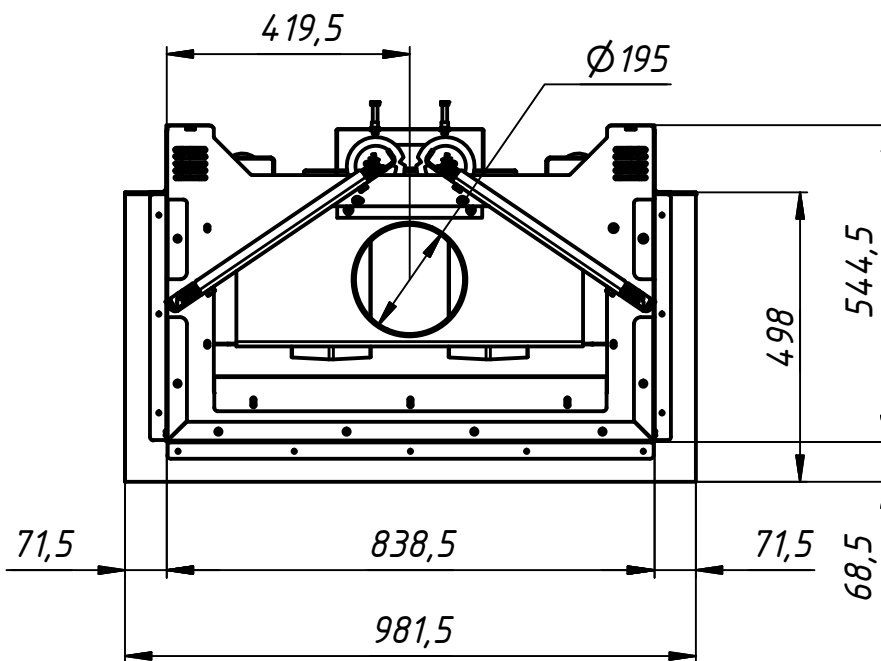
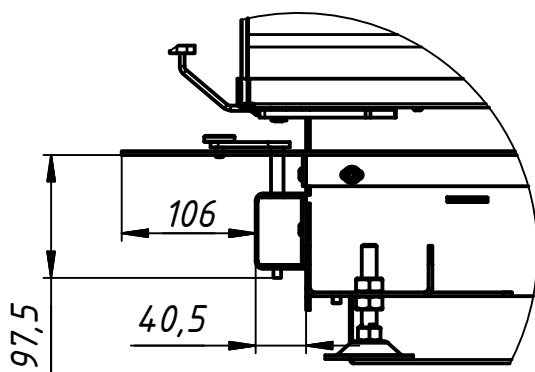


Technical information	Unit	Value
Tested according to	-	-
Nominal heat power	kW	11
Wood consumption	kg/h	3.3
Efficiency	%	>80
<b>Heat distribution</b>		
door glass (single / double)	%	50 / -
fireplace insert	%	50 / -
water circuit	%	-- / --
Required chimney pressure	Pa	12
Chimney diameter	mm	200
Combustion air connection	mm	175
Minimum radiant area	sq m	4.1
Minimum distance from the insulated areas	mm	60
Minimum supply air grating cross-section	sq cm	1100
Minimum outgoing air grating cross-section	sq cm	1300
Log length	cm	30
Weight fireplace with ribbed 40mm chamotte	kg	224
Weight of one accumulation set	kg	20.5
Maximum number of accumulation sets	-	-
Increase in size with accumulation set from the side / behind	mm	-- / --



A (1:6)



Изм.	Лист	№ докум.	Подп.	Дата
------	------	----------	-------	------

37x80x37x54 H

Лист

Копировал

Формат А3