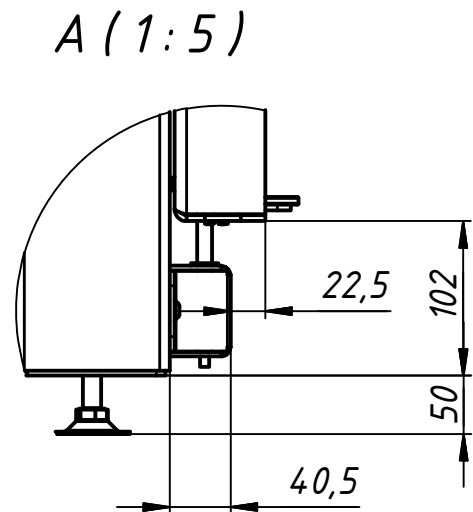
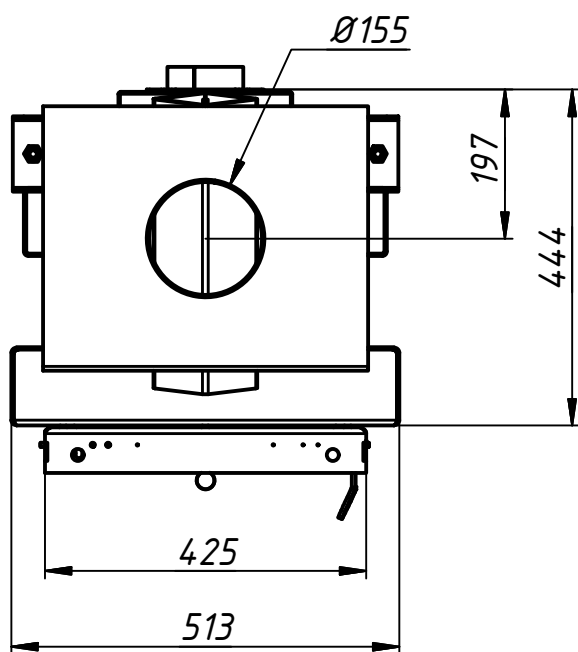
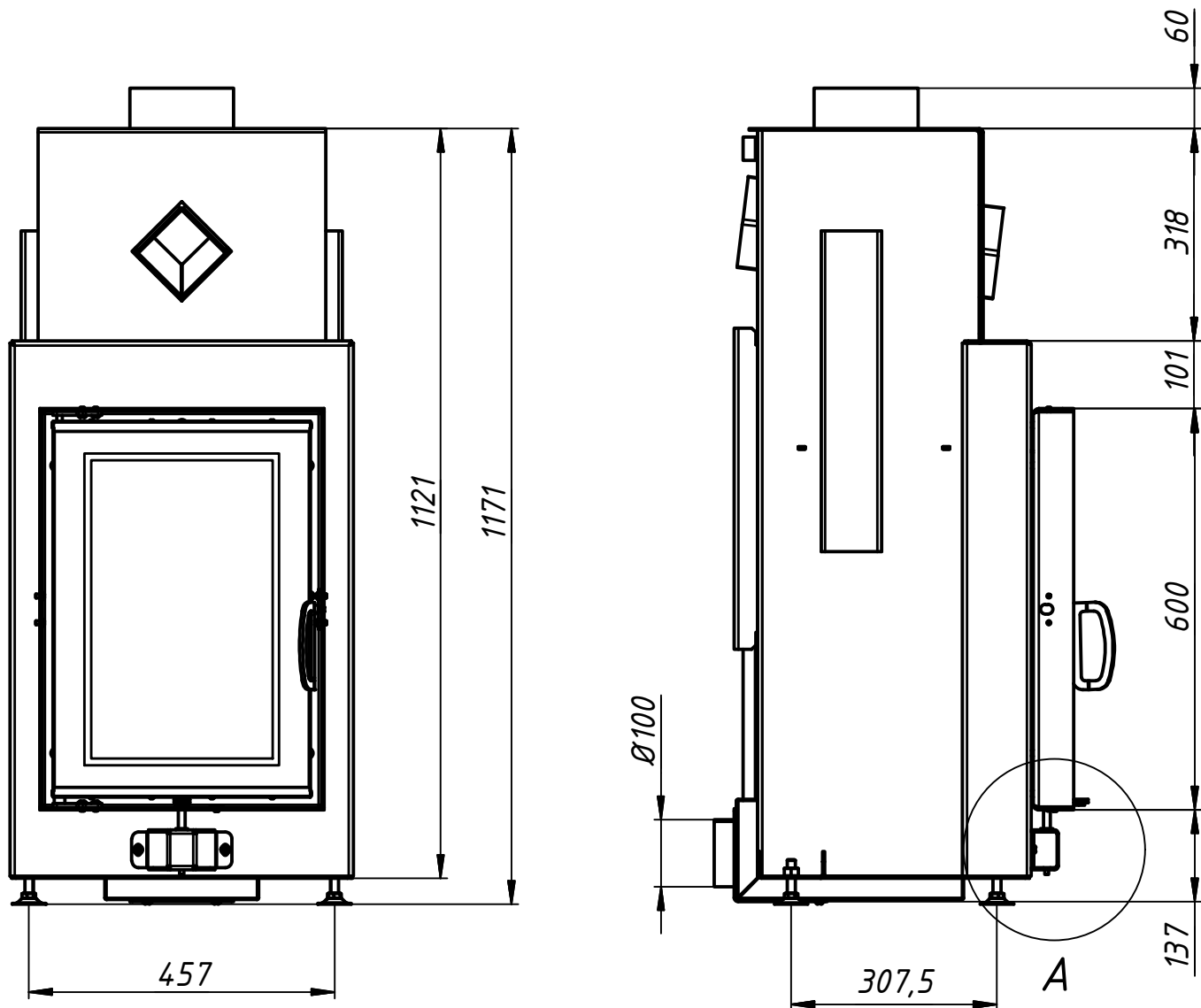


Technical information	Unit	Value
Tested according to	-	-
Nominal heat power	kW	7
Wood consumption	kg/h	2.1
Efficiency	%	80
Heat distribution		
door glass (single / double)	%	30 / 20
fireplace insert	%	70 / 80
water circuit	%	-- / --
Required chimney pressure	Pa	10
Chimney diameter	mm	160
Combustion air connection	mm	100
Minimum radiant area	sq m	4.5
Minimum distance from the insulated areas	mm	60
Minimum supply air grating cross-section	sq cm	950
Minimum outgoing air grating cross-section	sq cm	1150
Log length	cm	25
Weight fireplace with ribbed 40mm chamotte	kg	146
Weight of one accumulation set	kg	20.5
Maximum number of accumulation sets		2
Increase in size with accumulation set from the side / behind	mm	61 / --

B



Инв. № подл.	Подп. и дата
Взам. инв. №	Инв. № дубл.
Подп. и дата	Подп. и дата



Изм.	Лист	№ докум.	Подп.	Дата

42x60

Лист  
1