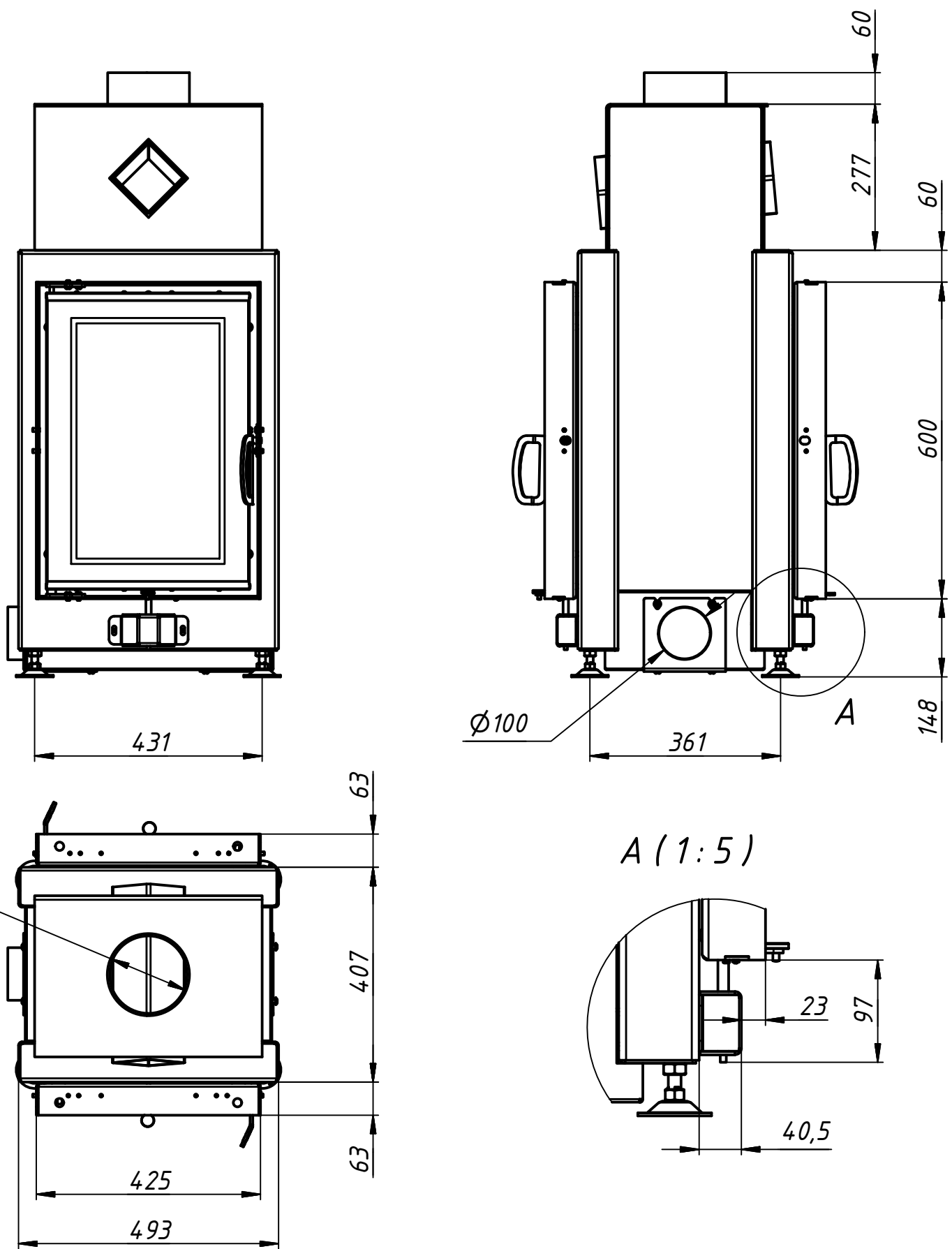


Technical information	Unit	Value
Tested according to	-	-
Nominal heat power	kW	8
Wood consumption	kg/h	2.3
Efficiency	%	>80
Heat distribution		
door glass (single / double)	%	50 / 40
fireplace insert	%	50 / 60
water circuit	%	-- / --
Required chimney pressure	Pa	10
Chimney diameter	mm	160
Combustion air connection	mm	100
Minimum radiant area	sq m	4.2
Minimum distance from the insulated areas	mm	60
Minimum supply air grating cross-section	sq cm	800
Minimum outgoing air grating cross-section	sq cm	950
Log length	cm	25
Weight fireplace with ribbed 40mm chamotte	kg	135
Weight of one accumulation set	kg	20.5
Maximum number of accumulation sets		--
Increase in size with accumulation set from the side / behind	mm	-- / --

B

A



Изм.	Лист	№ докум.	Подп.	Дата

42x60 0

Лист