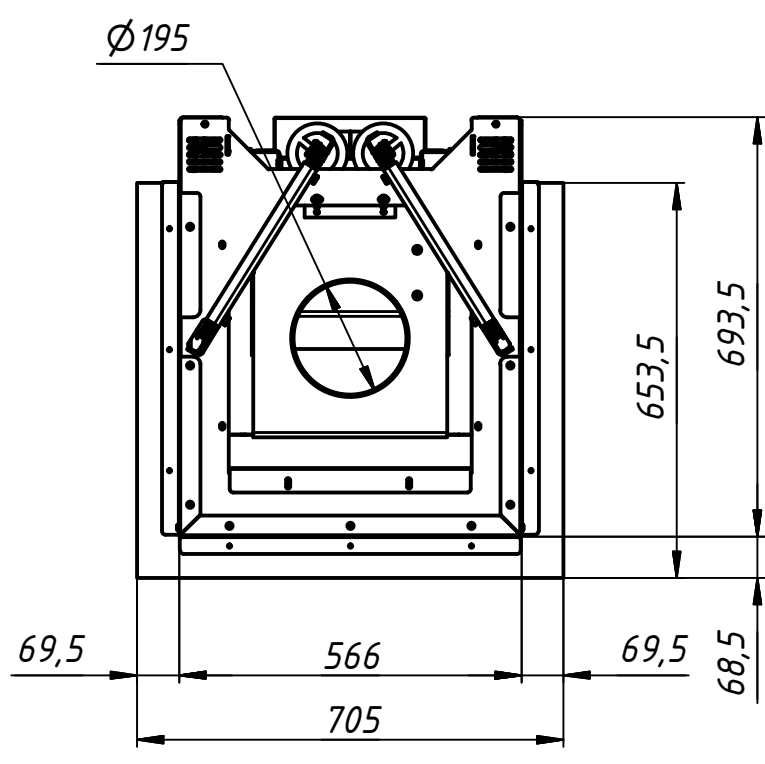
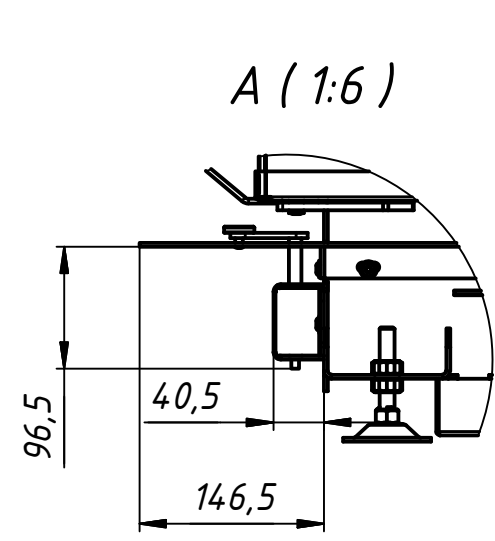
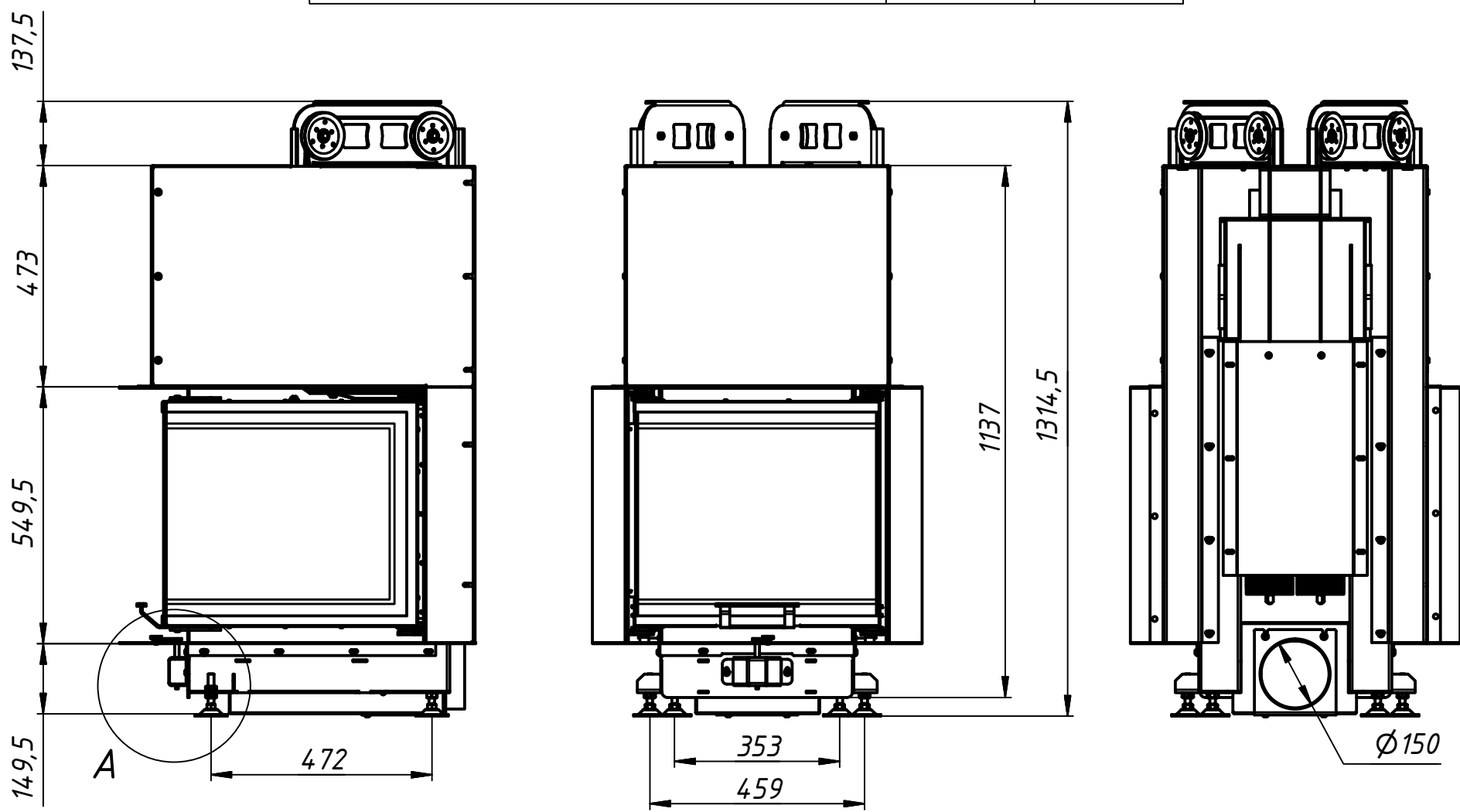


Technical information	Unit	Value
Tested according to	-	-
Nominal heat power	kW	9
Wood consumption	kg/h	2.7
Efficiency	%	>80
Heat distribution		
door glass (single / double)	%	50 / -
fireplace insert	%	50 / -
water circuit	%	-- / --
Required chimney pressure	Pa	12
Chimney diameter	mm	200
Combustion air connection	mm	150
Minimum radiant area	sq m	4.1
Minimum distance from the insulated areas	mm	60
Minimum supply air grating cross-section	sq cm	900
Minimum outgoing air grating cross-section	sq cm	1050
Log length	cm	30
Weight fireplace with ribbed 40mm chamotte	kg	224
Weight of one accumulation set	kg	20.5
Maximum number of accumulation sets		-
Increase in size with accumulation set from the side / behind	mm	-- / --



Изм.	Лист	№ докум.	Подп.	Дата	45x50x45x52 H	Лист